

INSTALLATION INSTRUCTION MANUAL FOR 3 PHASE 4 WIRE UNDER AND OVER VOLTAGE RELAY S2 VMR6



INTRODUCTION

Thank you for selecting and purchasing MINILEC make 3 ph 4 wire under and over voltage relay. Installation instructions will guide you in installing your S2 VMR6 and making the best use of it. It offers protection against -

- * Under voltage condition.
- * Over voltage condition.
- * Unbalance.
- * Phase failure.
- * Phase reversal.
- * Neutral Fail condition.

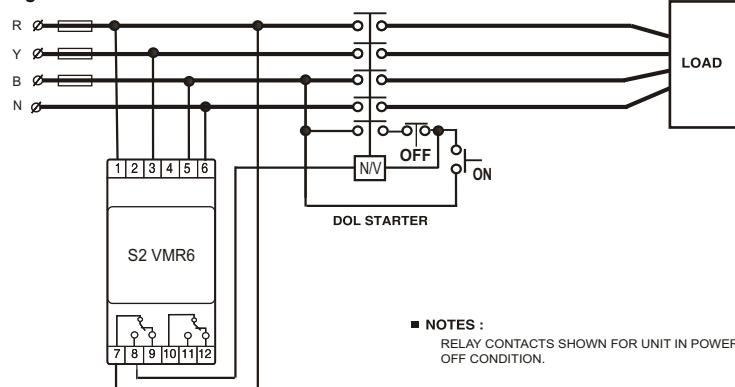
S2 VMR6 is an auxiliary relay and it should be used along with the starter only. The effective Working of the unit will depend on efficient working of the starter. Before installing S2 VMR6, check whether the starter is operating perfectly by starting with the "ON" push button and switching off by "OFF" push button. If the operation of START and STOP are imperfect the starter needs to be serviced. Do not install S2 VMR6 with faulty starter.

Note : - Use neutral fail indication for guideline only.

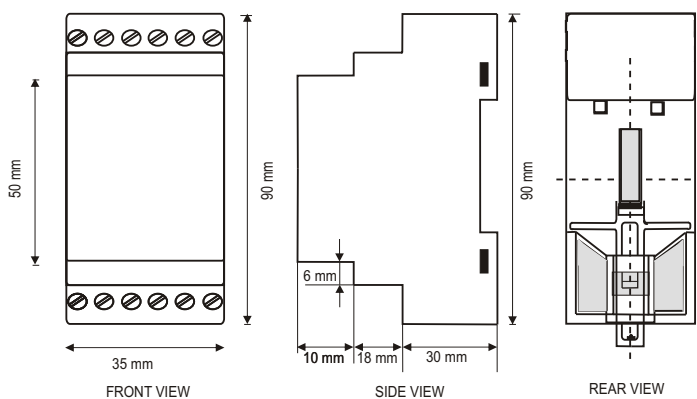
! **Note:- If the product is not installed as per guideline given by Minilec, Our company will not be responsible for any wrong connection, damage, Injury, accident, etc.**

ELECTRICAL CONNECTION IN POWER & CONTROL WIRING

Fig. 1



MOUNTING ON DIN RAIL



SPECIFICATIONS

PARAMETER	DESCRIPTION
1) System Supply Voltage	: 415VAC \pm 20 %, 3 phase,4 wire system
2) Aux. Supply	: In-Built.
3) Frequency	: 48 TO 63 HZ.
4) Output Relay Contacts	: 2 CO.
5) Output Contacts Rating	: 5 AMP, 240VAC [Resistive]
6) Unbalance Trip Setting	: 94V \pm 6V ph - ph [Fixed]
7) Under Voltage Trip Setting [Variable by pot]	: 75 % to 95 % of 415 VAC
8) Over Voltage Trip Setting [Variable by pot]	: 105 % to 125 % of 415 VAC
9) Power On Delay	: 5 Sec \pm 1Sec.(fixed)
10) Trip Time Delay	
* UB/SP/ UV/OV	: 5 Sec \pm 1Sec.(fixed)
* RP	: Instant
* Neutral Fail	: Less Than 2 Sec.
11) Set Accuracy	
* UV & OV setting.	: \pm 2 % Of Set Value
12) Resetting	: Auto Reset
13) Reset Gap	
* Unbalance reset gap	: 14V \pm 4V.
* UV & OV reset gap	: 3 % \pm 1 % Of Set Value.
14) Indications	
* Power On	: ON
* Phase failure / Unbalance / RP.	: UB / RP (Steady led for SP / UB Flashing led for RP)
* Under / Over Voltage	: UV /OV (Steady led for UV, Flashing led for OV)
* Neutral Fail	: NF
15) Enclosure	: S2 Series, ABS / PC-ABS.
16) Dimensions (mm)	
* Overall	: 90 X 35 X 60
* Mounting	: 35mm Rail Mounting.
17) Weight(Approx.)	: 110 gms.
18) Operating Conditions	
* Temperature	: - 5 $^{\circ}$ C TO + 60 $^{\circ}$ C
* Humidity	: UP TO 95 % Rh.

WARRANTY

AGAINST ALL MANUFACTURING DEFECTS FOR 18 MONTHS FROM DATE OF SUPPLY OR 12 MONTHS FROM DATE OF INSTALLATION WHICHEVER IS EARLIER

MANUFACTURED BY:

minilec[®]
www.minilecgroup.com

S. NO. 1073/ 1-2-3, AT POST : PIRANGUT, TAL: MULSHI,
DIST: PUNE (INDIA) PIN : 412 111
VERSION 02 (27/11/09)