

INSTALLATION INSTRUCTION MANUAL FOR 3 PHASE 4 WIRE UNDER AND OVER VOLTAGE RELAY S2 VMR5



INTRODUCTION

Thank you for selecting and purchasing MINILEC make 3 ph 4 wire under and over voltage relay. Installation instructions will guide you in installing your S2 VMR5 and making the best use of it. It offers protection against -

- * Under voltage condition.
- * Over voltage condition.
- * Neutral Fail condition.

Your S2 VMR5 is an auxiliary relay and it should be used along with the starter only. The effective working of the unit will depend on efficient working of the starter. Before installing your unit check whether the starter is operating perfectly by starting with the "ON" push button and switching off by "OFF" push button. If the operation of START and STOP are imperfect the starter needs to be serviced. Do not install your unit with faulty starter.

Note:- If the product is not installed as per guideline given by Minilec, Our company will not be responsible for any wrong connection, damage, injury, accident, etc.

PROGRAM MODE SETTING

PRESS PRG./ RST P.B. FOR	LED STATUS			MODE
	ON LED	UV/NF LED	OV LED	
	●	○	○	Run Mode
≥ 8 SEC	☆	☆	☆	Program Mode
≤ 4 SEC	●	●	●	Test Facility
WAIT 3 SEC	○	○	○	Exit Test Mode.
≥ 4 SEC	☆	○	○	Auto / manual Reset selection
≤ 4 SEC	●/○	○	○	● Auto Reset / ○ Manual Reset
≥ 4 SEC	○	☆	○	Fail Safe/ Non Fail Safe selection
≤ 4 SEC	○	●/○	○	● Fail Safe / ○ Non Fail Safe
≥ 4 SEC	○	○	☆	Common or Separate Relay selection
≤ 4 SEC	○	○	●/○	● Relay 1, Relay 2 FOR UV & OV ○ Relay1 for UV & Relay2 for OV
≥ 4 SEC	☆	○	○	MODE setting Cycle repeat.
IF P. B. IS NOT PRESSED FOR >10 SEC	☆	☆	☆	AUTO EXIT program mode after flashing led.

● LED ON ○ LED OFF ☆ LED FLASHING

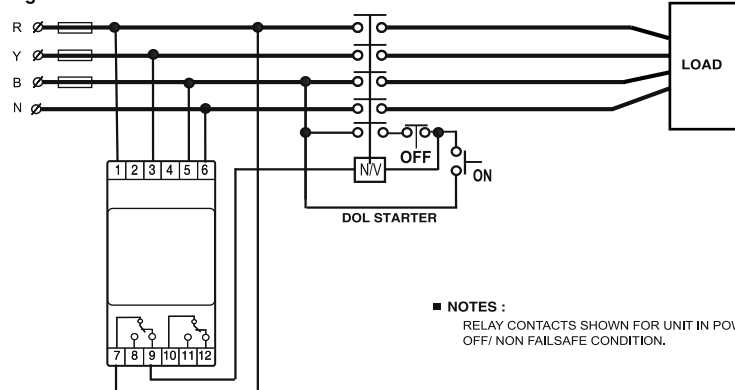
Note:- 1) S2 VMR5 BY DEFAULT IN NON FAIL SAFE MODE.
2) OV IS NOT APPLICABLE FOR 2CO.

SPECIFICATIONS

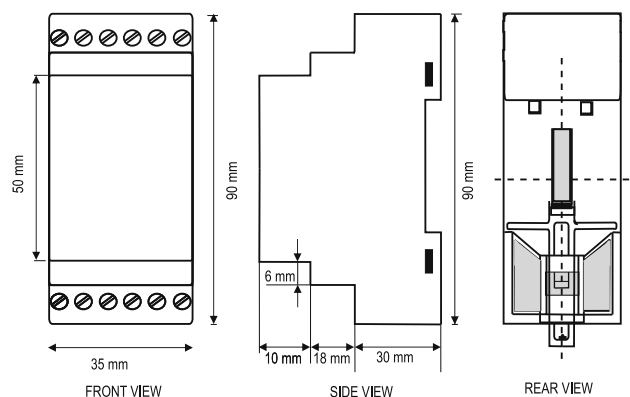
PARAMETER	DESCRIPTION
1) System Supply Voltage	: 100-120/220-240/380-440VAC ± 20 %, 3 phase, 4 wire system
2) Frequency	: 48 TO 63 HZ.
3) Output Relay Contacts	: [1 CO + 1CO] / 2 CO.
4) Output Contacts Rating	: 5 AMP, 240VAC [Resistive]
5) Under Voltage Trip Setting (Ph - N)	: 165 - 245 VAC FOR 380 - 440 VAC 95 - 135 VAC FOR 220 - 240 VAC 45 - 65 VAC FOR 100 - 120 VAC
6) Over Voltage Trip Setting (Ph - N)	: 230 - 310 VAC FOR 380 - 440 VAC 130 - 170 VAC FOR 220 - 240 VAC 60 - 80 VAC FOR 100 - 120 VAC
7) Trip Time Delay	: 1 TO 10 Sec. * For UV/OV * For Neutral Fail : 2 Sec ± 1.5 Sec. (fixed)
8) Power On Delay	: 1 TO 10 Sec.
9) Set Accuracy	: ± 2 % Of Set Value * For UV & OV setting. * For Trip time Delay for UV & OV : ± 5 % Of Full Scale * For Power On Delay : ± 5 % Of full scale (± 10 % for 1st marking)
10) Resetting	: Auto / Manual Reset [By Push Button]
11) Reset Gap	: 3 % ± 1 % Of Set Value. * For UV & OV
12) Indications	: ON * Power On (Green) * Under Voltage (Red) & Neutral Fail. : UV / NF (Steady - UV & Flashing - NF) * Over Voltage (Red) : OV
13) Enclosure	: S2 Series, ABS / PC-ABS.
14) Dimensions (mm)	: 35 X 90 X 60 * Overall * Mounting. : Rail Mounting.
15) Weight (Approx.)	: 150 gms.
16) Operating Conditions	: - 5 °C TO + 60 °C * Temperature * Humidity : UP TO 95 % Rh.

ELECTRICAL CONNECTION IN POWER & CONTROL WIRING

Fig. 1



MOUNTING ON DIN RAIL



WARRANTY

AGAINST ALL MANUFACTURING DEFECTS FOR 18 MONTHS FROM DATE OF SUPPLY OR 12 MONTHS FROM DATE OF INSTALLATION WHICHEVER IS EARLIER

MANUFACTURED BY:

minilec®

S. NO. 1073/ 1-2-3, AT POST : PIRANGUT, TAL: MULSHI,
DIST: PUNE (INDIA) PIN : 412 111
VERSION 05(30/12/17)