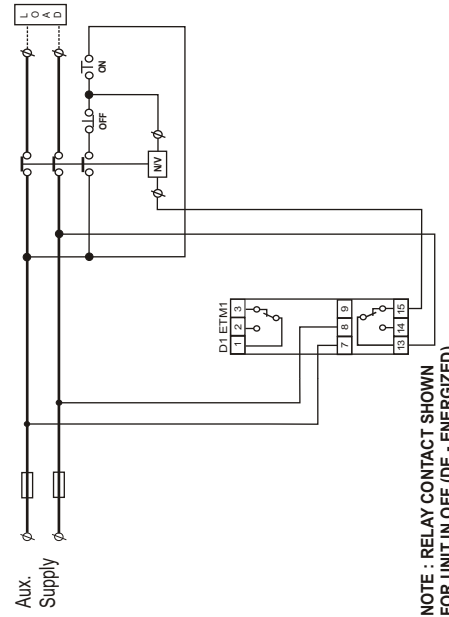


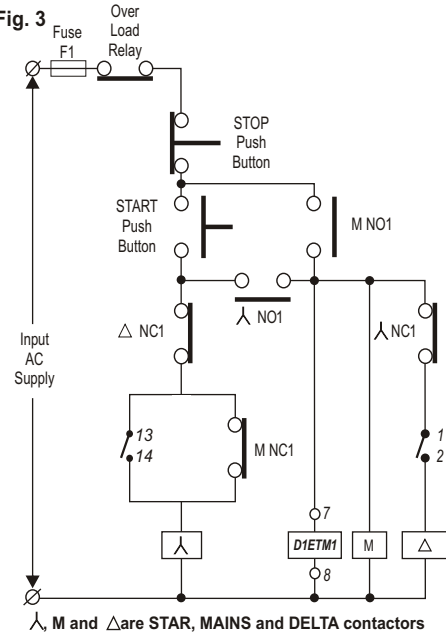
### ELECTRICAL CONTROL WIRING AND CONNECTION DIAGRAM

Fig. 1(FOR MODE 1 TO 4 ONLY)



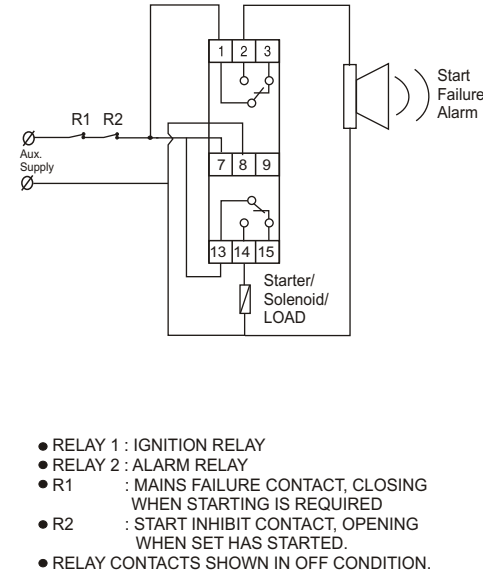
### TYPICAL APPLICATION DIAGRAM FOR STAR-DELTA STARTER MODE

Fig. 3



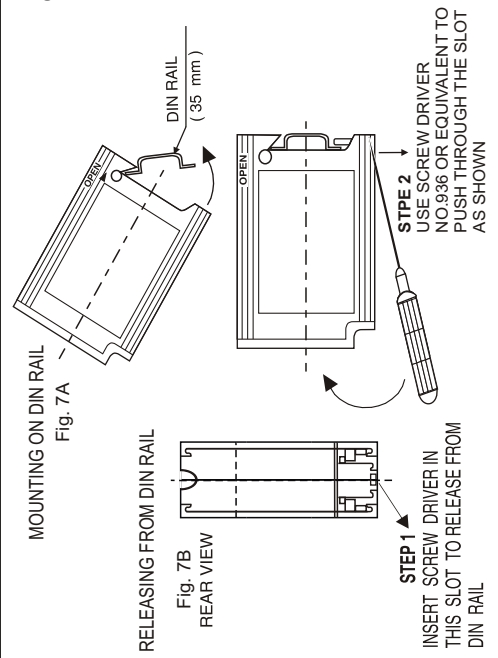
### ELECTRICAL CONTROL WIRING AND CONNECTION DIAGRAM FOR ENGINE START RELAY MODE

Fig. 5



### MOUNTING ON AND RELEASING FROM DIN RAIL

Fig.7



## INSTALLATION INSTRUCTION MANUAL FOR ELECTRONIC MULTIFUNCTION TIMER D1 ETM1



### ELECTRICAL CONTROL WIRING AND CONNECTION DIAGRAM D1 ETM1

Fig. 2A

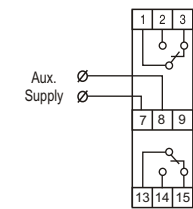
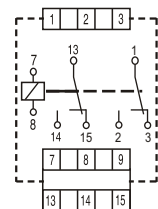


Fig. 2B



**NOTE:**  
1. Relay Contacts shown for Delay Elapsed condition.  
2. Relay Contacts shown for Relay In OFF (De - ENERGI ZED) Condition

**INDICATIONS :**  
L1 (GREEN) : POWER ON  
L2 (RED) : RELAY 1 & 2 ON [ FOR MODE 1 TO 4 ]  
RELAY 2 ON [ FOR MODE 5 TO 7 ].

**TERMINAL DETAILS :**  
7-8 : Aux. Supply as marked on Unit  
13-14-15 : C1-NO1-NC1 ( RELAY1)  
1-2-3 : C2-NO2-NC2 (RELAY 2)

### ELECTRICAL CONTROL WIRING AND CONNECTION DIAGRAM FOR STAR DELTA MODE

Fig. 4A

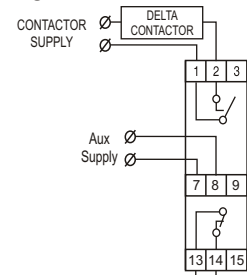
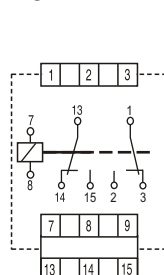


Fig. 4B



**NOTE:**  
Relay Contacts shown for STAR condition i.e. when STAR relay is in HEALTHY (ENERGI ZED) condition.

**INDICATIONS :**  
L1 (GREEN) : POWER ON  
L2 (RED) : DELTA Relay in Healthy (ENERGI ZED) condition

**TERMINAL DETAILS :**  
7-8 : Aux. Supply as marked on Unit  
13-14 : STAR relay output contact (NO)  
1-2 : DELTA relay output contact (NO)

### ELECTRICAL CONTROL WIRING AND CONNECTION DIAGRAM FOR ENGINE START MODE

Fig. 6A

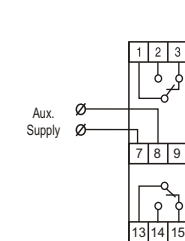
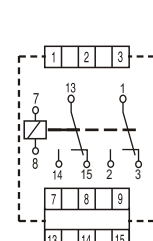


Fig. 6B



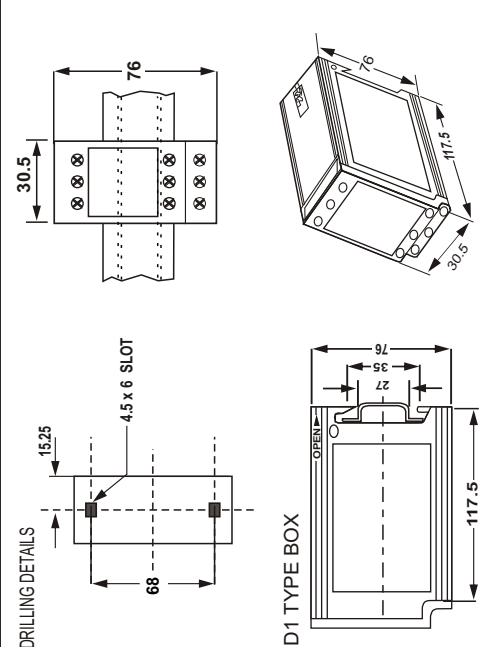
**NOTE:**  
1. Relay Contacts shown for Delay Elapsed condition.  
2. Relay Contacts shown for Relay In OFF (De - ENERGI ZED) Condition

**INDICATIONS :**  
L1 (GREEN) : POWER ON  
L2 (RED) : RELAY 2 ON

**TERMINAL DETAILS :**  
7-8 : Aux. Supply as marked on Unit  
13-14-15 : C1-NO1-NC1 ( RELAY1)  
1-2-3 : C2-NO2-NC2 (RELAY2)

### MOUNTING DIMENSIONS

Fig. 8



**WARRANTY AGAINST ALL MANUFACTURING DEFECTS FOR 18 MONTHS FROM DATE OF SUPPLY OR 12 MONTHS FROM INSTALLATION WHICHEVER IS EARLIER**

Manufactured by :

**minilec®**

S.NO. 1073/1-2-3,  
AT POST : PIRANGOOT,  
TAL : MULSHI, DIST. : PUNE (INDIA)  
PIN : 412 111,

VERSION 03  
(28/02/2008)

