

INSTALLATION INSTRUCTION ALTERNATING RELAY

minilec®

S2 ALT1



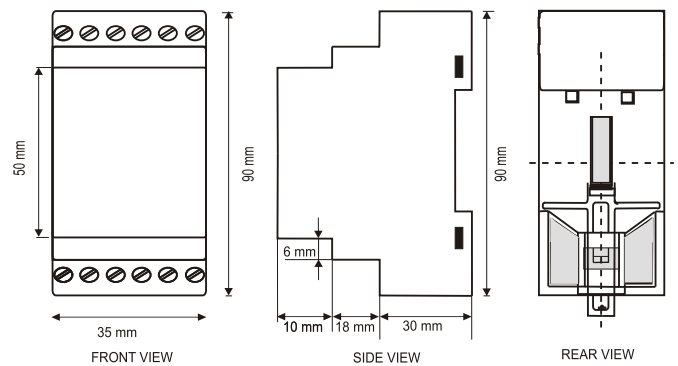
S2 ALT1 is alternating relay for two pumps that permits the control and inversion of two pumps in alternating system. The system operates on state of pressure switch in the absence of water. By inserting second pressure switch it is possible to operate both pumps when one is insufficient to maintain the pressure of the system in the required supply conditions. Further more, in the event of faulty pump the relay recognizes the state and switch over the operation to the other pump thereby always allowing water delivery.

With S2 ALT1 alternating relay, it is possible to realise the control of conventional autoclave system, with the sole addition of the contactor and the overload relay.

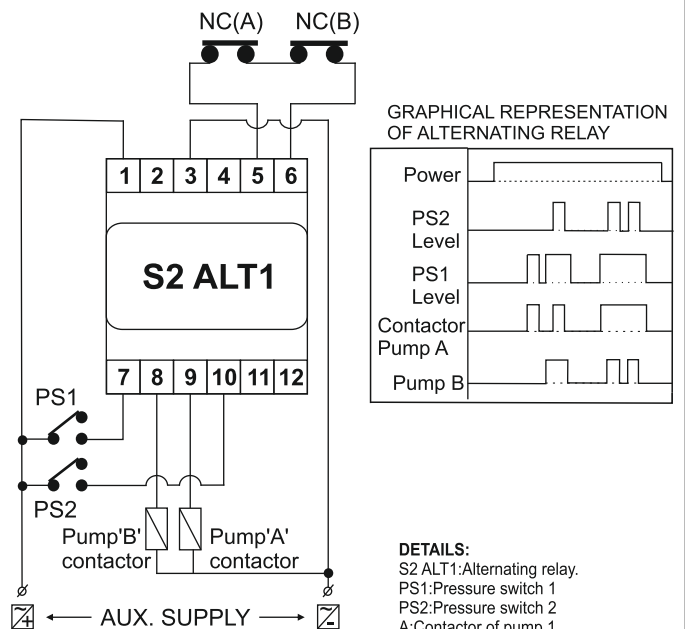
TECHNICAL SPECIFICATION:-

1. Aux. supply	: 24/110/115/220/230/240/380/415 VAC 24 VDC ±15%
2. Frequency	: 50 Hz / 60 Hz ±3%
3. Power consumption	: 15 VA max.
4. Output relay contact	: 2 NO
5. Output relay rating	: 5 Amp @ 240 VAC, resistive
6. Indication	ON : Power on (green) Rly : Relay on (red)
7. Operation	: 30 operation/minute(max)
8. Life expectancy	Mechanical : 1x10 ⁶ operation Electrical : 0.5x10 ⁶ @ 100% rating
9. Enclosure	: S2 Series, ABS/ PC-ABS
10. Dimension(Overall)	: 90X 35X60 mm
11. Mounting	: 35mm Din Rail mounting.
12. Weight	: 135 gms (approx)
13. Operating condition	Temp : -5°C to + 60°C. Humidity : up 90% Rh.

MOUNTING ON DIN RAIL:-



WIRING & CONNECTION



NOTE:-

- 1) The coil voltage of both contactor & AUX. supply of S2 ALT1 should be same.
- 2) Caution AUX. supply will be passing through PS1 & PS2 on the water line (pipe).
- 3) For DC supply, connect +ve to 1 and -ve to 3.

COMPLIANCE TO STANDARDS

TEST	IEC STD.
1. EFT Test of Auxiliary Supply	61000-4-4
2. Surge Test of Auxiliary Supply	61000-4-5
3. Voltage Interruption, Variation & Dip Test	61000-4-11
4. ESD Test (Contact Discharge)	61000-4-2
5. ESD Test (Air Discharge)	61000-4-2
6. H.V. Test (Dielectric Test)	60255-5
7. H.V. Test (Dielectric Test)	60255-5
8. Insulation Resistance Test	60255-5
9. Temperature test 60° & -5 degree	

WARRANTY - AGAINST ALL MANUFACTURING DEFECTS FOR 18 MONTHS FROM DATE OF SUPPLY OR 12 MONTHS FROM INSTALLATION WHICHEVER IS EARLIER

www.minilecgroup.com

Version 02 (01/12/2022)